

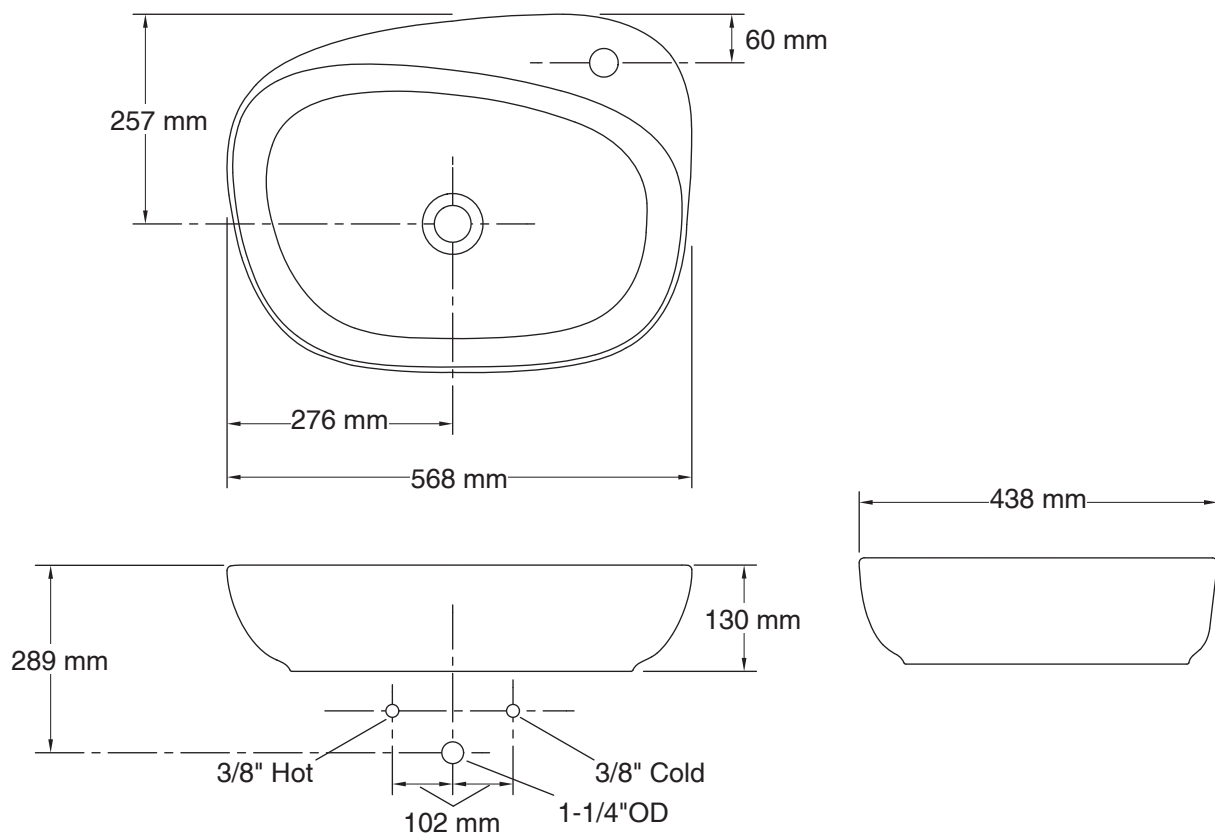
Kankara Vessel Basin

76600IN

Product Description:	Kankara Vessel Basin, 1 Tap Hole	
Required Items:	7129B-CP	Grid waste for basins without overflow
Colour/Finish:	White	
Product Dimensions:	W568 x D438 mm	
Material:	Vitreous China	
Product Weight (kg):	15.3	
Fixings Included:	No	
Guarantee (Years):	25	

**Additional Information:**

Rinse thoroughly and use a soft cloth to wipe the product dry after use. Soft abrasive cleaners may be used when necessary to clean vitreous china products. Strong abrasive cleaners will scratch and dull the surface. Wipe any splashes of cleaning solutions from plastic or plated surfaces immediately.

Dimensions (mm):**Kohler UK**

Sales and Technical: +44 (0) 800 001 4466

info@kohler.co.uk

www.KOHLER.co.uk

THE BOLD LOOK
OF **KOHLER**®